

Figure 14. General Attachment of Ledger Board to Band Joist or Rim Joist.

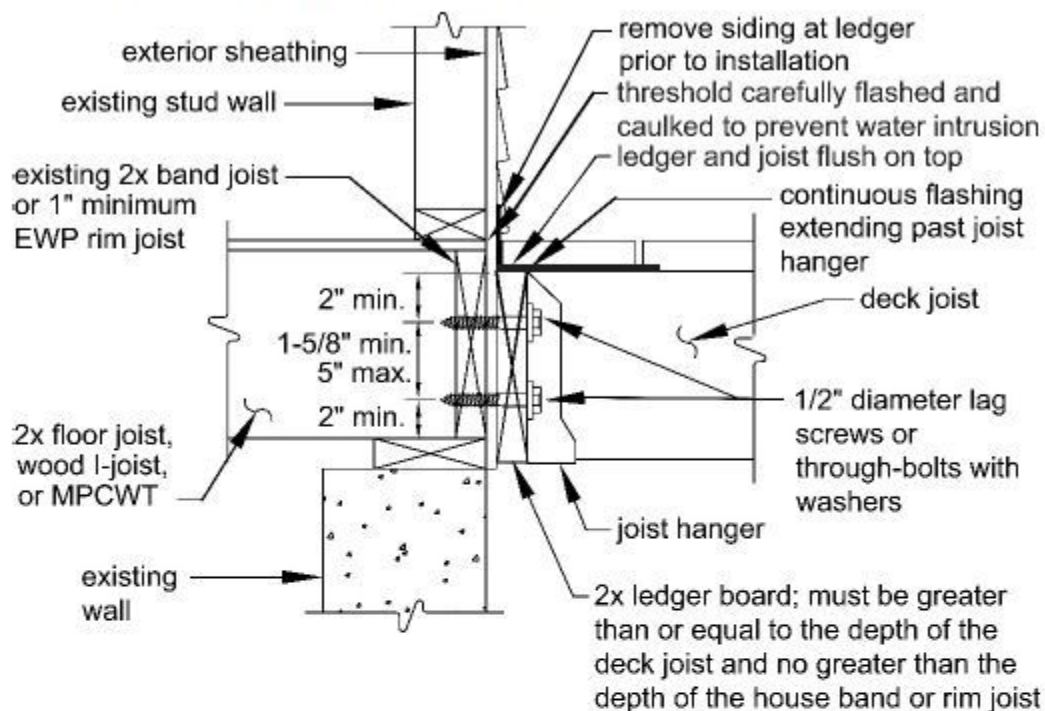


Figure 15. Attachment of Ledger Board to Foundation Wall (Concrete or Solid Masonry).

