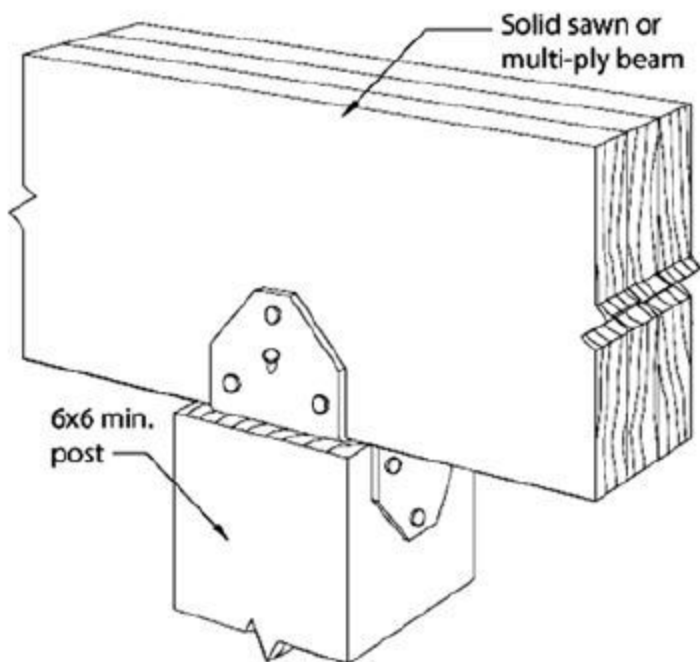
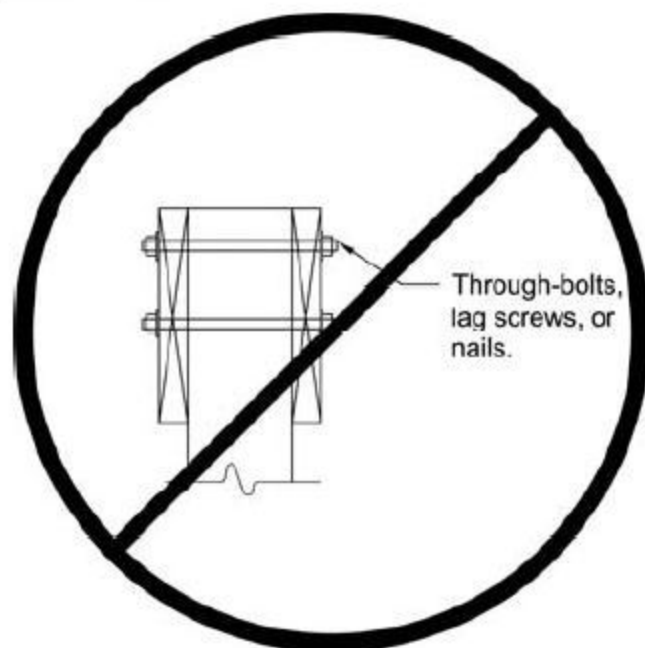


**Figure 8B. Alternate *Approved* Post-to-Beam Post Cap Attachment.**



**Figure 9. Prohibited Post-to-Beam Attachment Condition.**



Through-bolts,  
lag screws, or  
nails.

Note: Support of beams w/  
fasteners only is prohibited.  
Bearing is required. See  
Figure 8A.